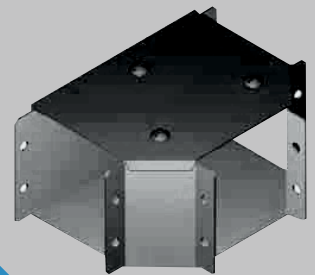
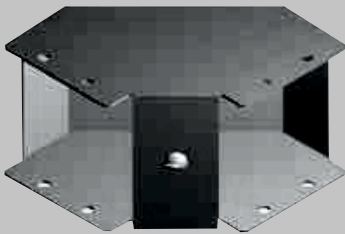
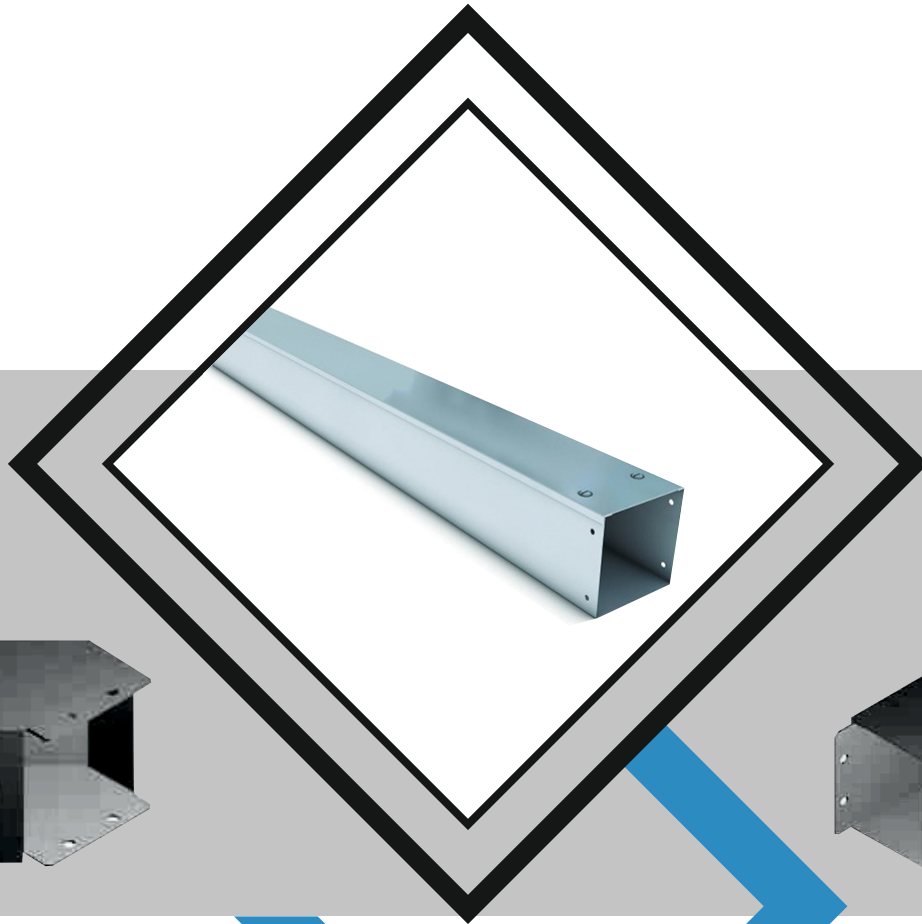




WESTPORT

Middle East



CABLE TRUNKING SYSTEMS

Technical Data



CONTENTS

PREFACE	01
MATERIAL AND FINISHES	02
DESIGN CONSIDERATIONS	05
TRUNKING CAPACITY GUIDE	08
STRAIGHT LENGTHS	09
SCREW LOCK ARRANGEMENT	11
STRAIGHT CONNECTOR	12
BEND TOP COVER	13
BEND INSIDE COVER	15
BEND OUTSIDE COVER	17
TEE TOP COVER	19
TEE INSIDE COVER	20
TEE OUTSIDE COVER	21
CROSS TOP COVER	22
REDUCER	23
OFFSET	24
HANGERS & PLYMOUTH	26
SEPERATOR & RETAINER	27
COVERS & BLIND END	28

PREFACE

WESTPORT offers a comprehensive range of components forming the elements of a complete cable management system. The system offered comprises:

Cable trays and cable ladders (conforming to BS EN 61537)

Metal channel cable supports (conforming to BS 6946)

Steel surface trunking (conforming to BS 4678 : Part 1)

When using this catalogue great care must be taken to establish all factors, which effect the environment in which the cable management system is being used. Where loading performance gures are stated, they are given in good faith based on average gures obtained by extensive testing of WESTPORT components. They are provided to assist in the system design process procedure adopted by customers but are given without accepting liability that components delivered may vary in performance. When a cable management system comprises of several different components, it will be necessary to check the system loading on all components. System designers should not extrapolate any results beyond the published data and if in doubt about the application of the product data, they should contact Metartechnical department.

CABLE MANAGEMENT SYSTEMS ARE NOT DESIGNED FOR USE AS WALKWAYS OR TO SUPPORT INSTALLATION OR MAINTENANCE PERSONNEL.

MATERIALS AND FINISHES

WESTPORT offers its range of cable management products in a variety of materials and finishes to suit the environmental conditions where components will be installed. Choice of an appropriate material / finish is always an important consideration in system design because maintenance of components once installed will be extremely difficult. Clients will undoubtedly expect a long life for the installed system and the choice of appropriate material / finish must consider the expected prevailing atmosphere and its effect on the system components.

Mild steel is an economical material for load bearing structures but if the surface remains untreated, it would rapidly begin to show signs of corrosion even in only mildly aggressive environments. When mild steel corrodes, the iron content is converted to oxides (rust), this progressively changes the strong steel into weak oxides which rapidly reduces the load bearing capacity of the affected part. If mild steel is coated with zinc, not only is the steel protected by the envelope of zinc whose chemical corrosion rate is low but since zinc is higher in the electro-chemical series, the zinc will always pass into solution before the iron content of steel. The strength of the steel structure will not be weakened by corrosion until the zinc coating has been sacrificed. The length of time it takes for the zinc coating to dissolve is in proportion to the thickness of the coating and the aggressiveness of the environment in which it is exposed.

Pre-Galvanised steel (PG) Mill Galvanised Steel.

Whilst the mild steel is still in wide coil form at the steel mill, it is processed in a continuous operation to clean the steel and pass it through a bath of molten zinc which forms iron / zinc alloys and a coating of pure zinc on the surfaces of the steel which is then cooled and re-coiled. This means that the steel is galvanised before it is slit to width, cut to length, pierced and formed to shape. The coating cannot be allowed to become thick because it would split during the forming process. However, since zinc offers electro-chemical protection, it will offer protection for what might be considered unprotected edges where the flat material has been cut or pierced. This is an effective and economic anti corrosion finish suitable for interior applications except where there is continual high humidity and / or corrosive atmosphere.

MATERIALS AND FINISHES

Hot Dip Galvanised Steel (HDG)

To achieve this finish, components made from mild steel are cleaned and dipped into a bath of molten zinc after all the other manufacturing processes have been completed. Not only does this ensure that the whole of the component is coated, it offers the opportunity to develop a much thicker zinc coating than is possible with pre-galvanising. WESTPORT takes particular care to ensure that a coating to British standards is achieved and that the distortion of components is minimised. However, this is a hot working process and some distortion and surface roughness may be in evidence. Since the zinc thickness is triple that of pre-galvanised steel, the anti-corrosive properties are enhanced. This finish will be suitable for most exterior installations except where there is a very aggressive atmosphere.

Stainless Steel (SS)

Stainless steel differs from mild steel. It contains a variety of alloyed elements, which very significantly reduce the rate at which the iron content will oxidise. The name "stainless" is a misnomer because many pollutants and chemicals will mark or stain the surface but this does not erode the strength of the steel as rusting weakens mild steel. To obtain good forming and outstanding corrosion resistance properties austenitic grades of stainless steel are used. They also have the property that they will withstand aggressive chemicals, used to wash down the processing areas where good hygiene is a high priority. The fact that stainless steel can maintain strength properties even when exposed to high temperature is also a valuable asset. This portfolio of useful properties makes stainless steel suitable for systems exposed to very aggressive atmospheres, including marine environments, high levels of pollution, caustic soda and temperatures of 1000deg C for periods long enough to give some integrity to electrical circuits in a fire emergency.

Epoxy Powder Coatings (PC)

These coatings are applied to mild steel components. The coatings can be offered in a wide variety of colours to meet the architectural project requirements. The coatings themselves are resilient to damage and will withstand atmospheric pollution and ultra-violet exposure from sunlight. However, if the coating envelope is broken the steel substrate will have little defence to corrosive agents. A highly decorative appearance can be achieved but longevity of this finish cannot be guaranteed.

Other Materials and Finishes.

Apart from the standard materials and finishes listed WESTPORT can offer other materials and finishes, which are required for a specific project specification. Please contact our technical department to discuss fully any such situation and the effect that this may have on other data associated with components shown in our catalogue range.

MATERIALS AND FINISHES

WESTPORT Industries produces the components of its cable management system from materials to the following internationally recognised standards.

Pre Galvanised	To BS EN 10327, the substrate is mild steel Grade DX51D with yield >200 N/mm ² . The zinc coating is applied before metal forming and the grade used Z275 implies a coating thickness of 20 microns.
Hot Dip Galvanized	>1.5mm thick steel Grade D11 to BS EN 10111 yield >200 N/mm ² or <1.5mm thick steel to Grade DC01 to BS EN 10130 yield >200N/mm ² is used to manufacture components, which are galvanized to the requirements of BS EN ISO 1461 generating a coating thickness of at least 65 microns
Stainless Steel	Austenitic stainless steel to BS EN 10088 Grade 1-4401 is used which has 17% Chromium 12% Nickel & 2% Molybdenum analysis.
Powder Coated	thick steel Grade D11 to BS EN 10111 yield >200 N/mm ² or <1.5mm thick steel to Grade DC01 to BS EN 10130 yield >200N/mm ² is used to manufacture components, which are coated with an epoxy powder. This will be in an agreed colour, offering a cosmetic finish with only limited anti-corrosive properties.

It is possible for WESTPORT to manufacture components of the product range in alternative materials to those listed above. For further information on these possibilities please contact our Technical Department.

WARNING

- Cutting components on site may well impair their resistance to corrosion.
- Welding coated products may generate toxic fumes.
- Products must be stored in dry and well-ventilated conditions prior to installation.

DESIGN CONSIDERATIONS

DESIGN CONSIDERATIONS

CABLE TRAY & LADDER SYSTEMS

WESTPORT offers a comprehensive range of cable tray and ladder products conforming to BS EN 61537. To design a safe and economical system, it is necessary to consider all the loads applied to the system and establish the criteria by which it will be judge.

LOADS APPLIED TO THE SYSTEM

The weight of cables to be fixed on the system will provide the basic loading data. However, it is always advisable to consider that future system requirements can be expected and allow 20% for additions at a later date. The following should also be considered:

1. The capacity charts provided in this catalogue assume that loading is uniform, both along length and across width. If a point load is applied to the tray / ladder it will potentially have a significant effect and this must be quantified.
2. If components are incorporated in an exterior installation there may be other loading factors to consider, such as wind, ice and snow .

SAFE LOADING AND DEFLECTIONS

Cable tray & ladder acts as a structural load carrying beam when installed horizontally. The loads imposed and the type and location of supports will create a pattern of bending moment in the structure. Stress will be induced and deflections (vertical displacements) will be observed. A properly specified system will ensure that the stress does not exceed to that which is safe for the materials used in the components. BS EN 61537 specifies that published safe working loads can be increased by 1.7 times without system collapse.

A suitable installation will require choice of appropriate style of tray / ladder and the location of supports. Increasing the span (horizontal distance between supports) will always reduce safe load carrying capacity and increase deflection.

DESIGN CONSIDERATIONS

LOCATION OF SUPPORTS AND CONNECTIONS

Normally cable tray / ladder is connected together forming a continuous beam over several supports. A typical bending moment diagram shown on the previous page shows the following:

1. Bending moment is much larger in the end spans of the continuous beam than the intermediate spans; which will reduce the load carrying capacity in the end spans. If an installation requires full load carrying capacity along the whole length, than full capacity of the intermediate spans can be used if the end spans are reduced to $0.75L$ (length of intermediate spans).
2. Bending moment is zero at approximately $0.25L$ either side of the intermediate supports. These are therefore ideal places to locate connections between component lengths of cable tray/ladder. The installer should avoid placing connections in mid-span positions and at supports. These are positions of maximum bending moment.
3. The diagram shows a typical multi-span beam loading condition. If a loading condition occurs where there is only a single span loading condition it can be taken that the permissible load is reduced to 0.5 that shown for intermediate span in multi-span beams.
4. Only straight length beams are discussed above. When accessories (bends, tees, risers etc.) are involved in an installation they will require extra local support. It is always recommended to use fish plates in conjunction with connectors, particularly when cable trays of greater than 200mm are used. Where earth continuity is an important consideration in a cable tray or ladder system, bonding jumper leads should be used. Cable ladders runs exposed to wide ambient temperature & the variation should incorporate expansion connectors. The chart below illustrates suitable gap setting.

FOR STRAIGHT LENGTHS AND ACCESSORIES

Range / Width (W)	Thickness (T)	Side Height (H)
All dimensions are in mm		
50 to 150	1.0	15
225 to 300	1.2	15
450 to 600	1.5	20
750 to 900	2.0	20

STANDARD FINISHES

HDG	Hot dip Galvanized to BS EN ISO 1461:1999 (Formerly BS 729)
PG	Pre-galvanized to BS EN 10142 & 10143
PC	Powder Coating to suit clients requirements
SS	Stainless steel finish to required grades

Light duty straight flange cable trays are made in a standard length of 3 mtrs but can be produced in different lengths on request

Light duty straight flange cable tray accessories are made to standard radius of 300 mm but can be produced in 450 mm, 600mm and 900 mm as required

ORDER PATTERN

To select the required component, please specify the type, component, width, finish. Angles can be mentioned wherever necessary.

TYPE / COMPONENT / WIDTH / FINISH (without angle) LDT / COM / WIDTH / HDG

TYPE / COMPONENT / WIDTH / ANGLE / FINISH (with angle) LDT / COM / WIDTH / A / HDG EXA

Covers for LDT are not shown in the manual but can be produced on request

Note: *For special finishes consult our sales team, factory*

For special sizes, gauges, flanges, consult our sales team, factory

The following guide will help you to select the correct size of trunking for the required number and size of cables in your installation. It has been prepared from Appendix 12 of the I.E.E wiring regulations for electrical installations. When cables are pulled into trunking they experience a drag from other cables and from the trunking itself. Using this guide to select the size of trunking for your cabling will ensure that an acceptable pulling force is required to install the cables and that minimum damage to the installations will occur. This is only a guide and is designed for use with single core PVC insulated.

TO USE THIS GUIDE

- Calculate Capacity unit by multiplying the Number of cables by the factor from Table A
- Use capacity unit to choose nearest size of trunking from table B
- Remember that cables can cross over each other and that you may need space for future wiring. Consequently, select the next size up.

REFERENCE			
NUMBER OF CABLES	CONDUCTOR CROSS SECTION MM ²	FACTOR (FROM A)	CAPACITY UNIT (FROM B)
50	1.5 Stranded	8.1	405
40	2.5 Stranded	11.4	456
20	6.0 Stranded	22.9	458
		Total	1319

From table B, capacity Unit of 1319 falls between 50 x 50 mm and 75 x 50 mm trunking.

TABLE A		
TYPE OF CONDUCTOR	CONDUCTOR CROSS SECTION	FACTOR
Solid	1.5	7.1
	2.5	10.2
Stranded	1.5	8.1
	2.5	11.4
	4	15.2
	6	22.9
	10	36.3
	16	42.9
	25	62.6
	35	95

TABLE B	
CAPACITY UNIT	DIMENSION OF TRUNKING MMXMM
738	75 X 25
993	100 X 25
1037	50 X 50
1555	75 X 50
2091	100 X 50
2371	75 X 75
3162	150 X 50
3189	100 X 75
4252	100 X 100
4743	150 X 75
9697	150 X 150

Note: For sizes and types of cables not included in the above tables A and B calculate total cross section of cables and select trunking size so that not more than 45% of trunking is filled

FOR STRAIGHT LENGTHS & ACCESSORIES STANDARD FINISHES

ST

PG Pre-galvanized to BS EN 10142 & 10143

PC Power Coating to suit clients requirements

- WESTPORT - Cable Trunkings are manufactured complying to BS 4678 Part 1
- WESTPORT - Cable Trunkings are manufactured to a standard length of 3mts but can be produced to any desired length also on request.
- WESTPORT Cable Trunkings are manufactured with jet lock & screw fixing covers. Jet lock arrangement requires only a quarter rotation of the turn buckle for fixings.
- WESTPORT Cable Trunking straight lengths are joined by connectors. Connectors are supplied in pairs with trunkings along with necessary fasteners For details refer page
- WESTPORT-Cable Trunking Accessories are produced out of single piece and require no welding. Accessories are produced with integral connectors & require no separate connectors for joining.
- WESTPORT-Cable Trunking Accessories are manufactured to a standard radius of 300mm, but can be produced to the radius of 600mm & 900mm also, on request.
- WESTPORT-Cable Trunkings can be produced with different thickness also for custom designed requirements.

ORDER PATTERN

J:- Jet lock Arrangement

S: Screw fixing Arrangement

Example

Single Chamber jet lock trunking 100mm wide & 100mm side height:- J-C/T 4-4

Double Chamber jet lock trunking 100mm, wide 100mm side height :- J-2C/T 4-4

NOTE:

Use 'J' as prefix while ordering jetlock arrangements and 'S' as prefix while ordering screw fixing arrangements & 2C or 3C for ordering two or three compartments.

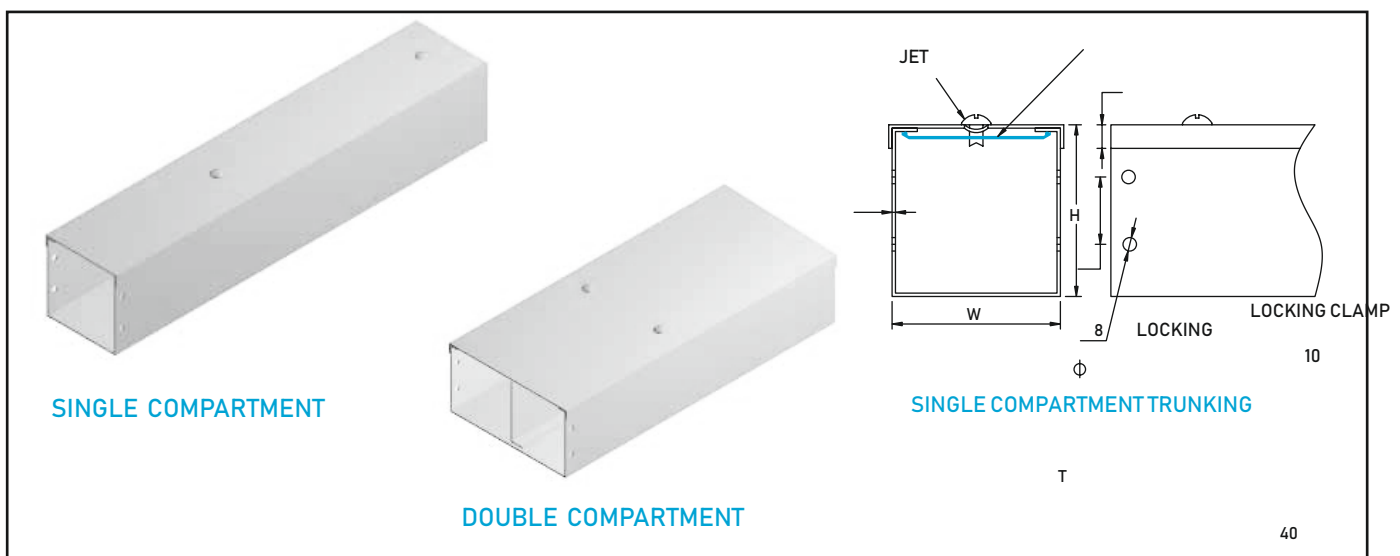
WESTPORT- Cable Trunkings are manufactured in Single & Multi-Compartments also.

STRAIGHT LENGTHS



JET LOCK ARRANGEMENT 0

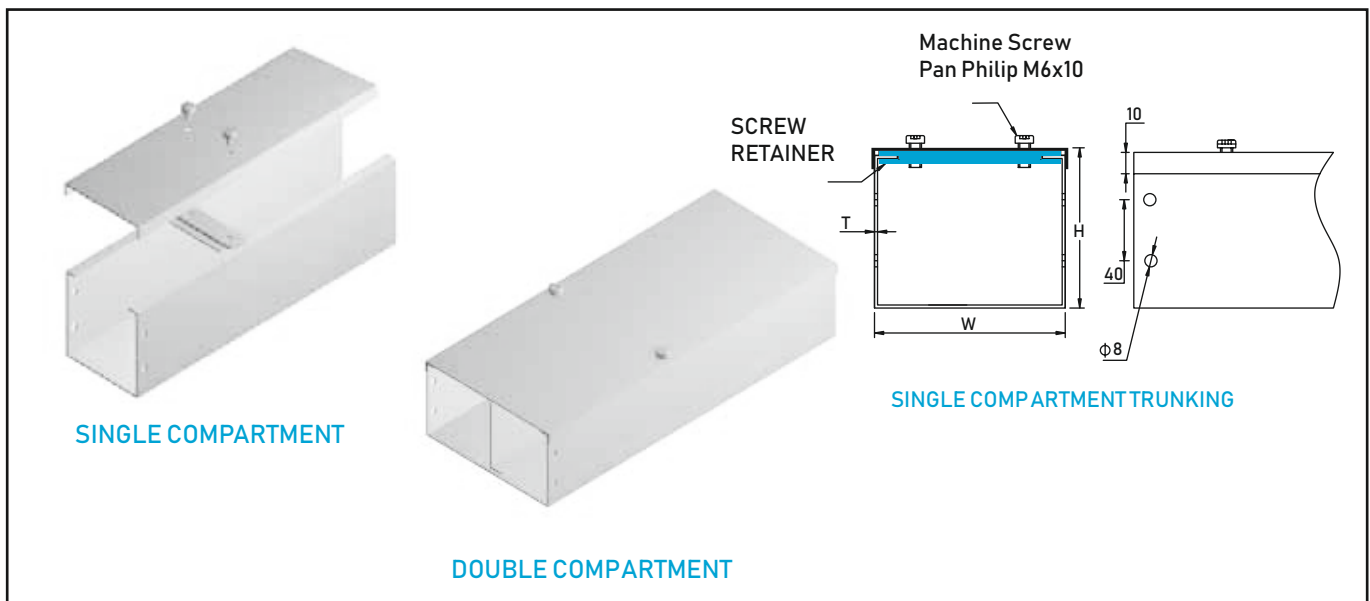
WIDTH mm	HEIGHT mm	THICKNESS mm	SINGLE COMPARTMENT	TWO COMPARTMENT	THREE COMPARTMENT
5	50	1.0	J-C/T2-2	J-2C/T2-2	J-3C/T2-2
75	50	1.2	J-C/T3-2	J-2C/T3-2	J-3C/T3-2
75	75	1.2	J-C/T3-3	J-2C/T3-3	J-3C/T3-3
100	50	1.2	J-C/T4-2	J-2C/T4-2	J-3C/T4-2
100	75	1.2	J-C/T4-3	J-2C/T4-3	J-3C/T4-3
100	100	1.2	J-C/T4-4	J-2C/T4-4	J-3C/T4-4
150	50	1.2	J-C/T6-2	J-2C/T6-2	J-3C/T6-2
150	75	1.2	J-C/T6-3	J-2C/T6-3	J-3C/T6-3
150	100	1.2	J-C/T6-4	J-2C/T6-4	J-3C/T6-4
150	150	1.5	J-C/T6-6	J-2C/T6-6	J-3C/T6-6
225	50	1.5	J-C/T9-2	J-2C/T9-2	J-3C/T9-2
225	75	1.5	J-C/T9-3	J-2C/T9-3	J-3C/T9-3
225	100	1.5	J-C/T9-4	J-2C/T9-4	J-3C/T9-4
225	150	1.5	J-C/T9-6	J-2C/T9-6	J-3C/T9-6
225	225	1.5	J-C/T9-9	J-2C/T9-9	J-3C/T9-9
300	50	1.5	J-C/T12-2	J-2C/T12-2	J-3C/T12-2
300	75	1.5	J-C/T12-3	J-2C/T12-3	J-3C/T12-3
300	100	1.5	J-C/T12-4	J-2C/T12-4	J-3C/T12-4
300	150	1.5	J-C/T12-6	J-2C/T12-6	J-3C/T12-6
300	225	1.5	J-C/T12-9	J-2C/T12-9	J-3C/T12-9
300	300	2.0	J-C/T12-12	J-2C/T12-12	J-3C/T12-12



SCREW LOCK ARRANGEMENT

METAR - Trunkings are manufactured in single and multi compartments also

WIDTH mm	HEIGHT mm	THICKNESS mm	SINGLE COMPARTMENT	TWO COMPARTMENT	THREE COMPARTMENT
50	50	1.0	S-C/T2-2	S-2C/T2-2	S-3C/T2-2
75	50	1.2	S-C/T3-2	S-2C/T3-2	S-3C/T3-2
75	75	1.2	S-C/T3-3	S-2C/T3-3	S-3C/T3-3
100	50	1.2	S-C/T4-2	S-2C/T4-2	S-3C/T4-2
100	75	1.2	S-C/T4-3	S-2C/T4-3	S-3C/T4-3
100	100	1.2	S-C/T4-4	S-2C/T4-4	S-3C/T4-4
150	50	1.2	S-C/T6-2	S-2C/T6-2	S-3C/T6-2
150	75	1.2	S-C/T6-3	S-2C/T6-3	S-3C/T6-3
150	100	1.2	S-C/T6-4	S-2C/T6-4	S-3C/T6-4
150	150	1.5	S-C/T6-6	S-2C/T6-6	S-3C/T6-6
225	50	1.5	S-C/T9-2	S-2C/T9-2	S-3C/T9-2
225	75	1.5	S-C/T9-3	S-2C/T9-3	S-3C/T9-3
225	100	1.5	S-C/T9-4	S-2C/T9-4	S-3C/T9-4
225	150	1.5	S-C/T9-6	S-2C/T9-6	S-3C/T9-6
225	225	1.5	S-C/T9-9	S-2C/T9-9	S-3C/T9-9
300	50	1.5	S-C/T12-2	S-2C/T12-2	S-3C/T12-2
300	75	1.5	S-C/T12-3	S-2C/T12-3	S-3C/T12-3
300	100	1.5	S-C/T12-4	S-2C/T12-4	S-3C/T12-4
300	150	1.5	S-C/T12-6	S-2C/T12-6	S-3C/T12-6
300	225	1.5	S-C/T12-9	S-2C/T12-9	S-3C/T12-9
300	300	2.0	S-C/T12-12	S-2C/T12-12	S-3C/T12-12

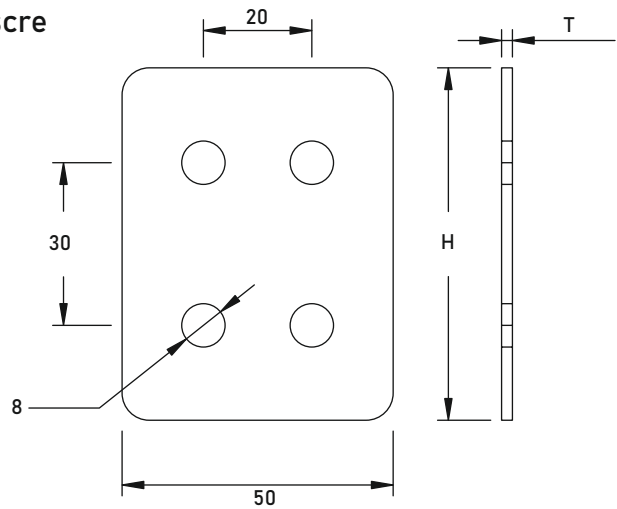


STRAIGHT CONNECTOR



Working with a set of pan Philip M6 X 10 machine screw

SIZE mm	THICKNESS mm	CONNECTOR
50 X 50	1.0	CST2-2
75 X 50	1.2	CST3-2
75 X 75	1.2	CST3-3
100 X 50	1.2	CST4-2
100 X 75	1.2	CST4-3
100 X 100	1.2	CST4-4
150 X 50	1.2	CST6-2
150 X 75	1.2	CST6-3
150 X 100	1.2	CST6-4
150 X 150	1.5	CST6-6
225 X 50	1.5	CST9-2
225 X 75	1.5	CST9-3
225 X 100	1.5	CST9-4
225 X 150	1.5	CST9-6
225 X 225	1.5	CST9-9
300 X 50	1.5	CST12-2
300 X 75	1.5	CST12-3
300 X 100	1.5	CST12-4
300 X 150	1.5	CST12-6
300 X 225	1.5	CST12-9
300 X 300	2.0	CST12-12



STRAIGHT CONNECTOR



U - CONNECTOR

with nut and washer.

STRAIGHT CONNECTOR

Connectors are supplied with washer.

U-Type connectors are optional and to be ordered separately.

BONDING JUMPER / EARTH STRIP

PART REF
BJ/TRK



Note: To order U- connector, use 'U' as prefix to 'CST' in the table.

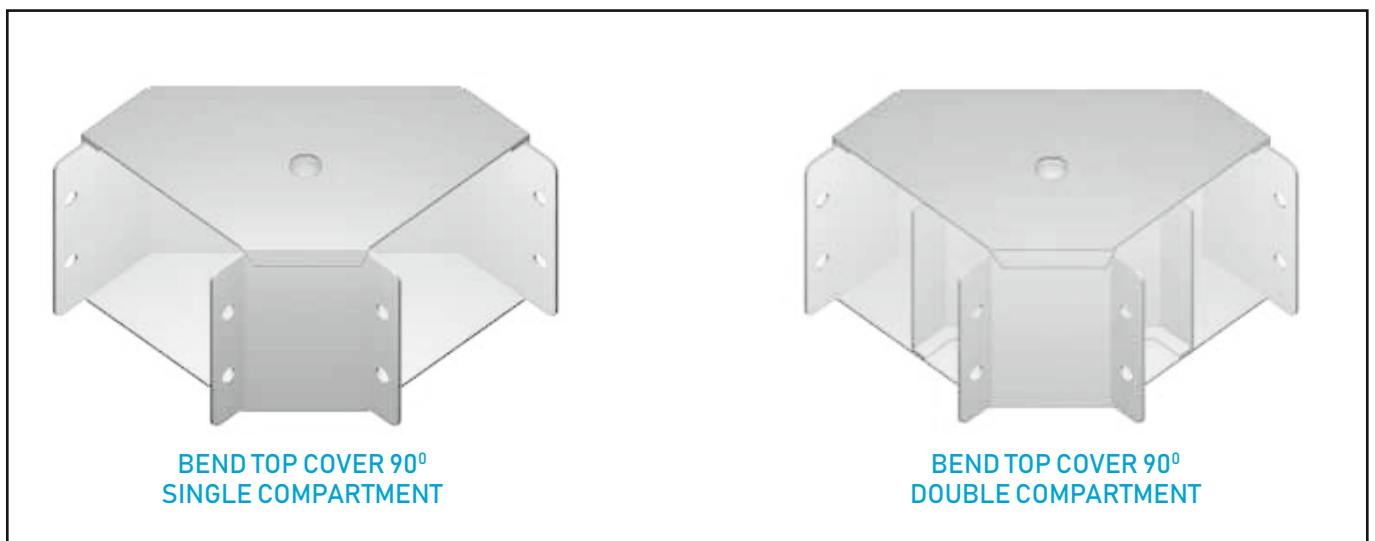
Bonding jumpers for the trunking are supplied in a pack of 25 numbers.

Bonding jumpers are required to be ordered separately.

JET LOCK ARRANGEMENT

To order screw lock bend top cover 90°, use 'S'

WIDTH mm	HEIGHT mm	THICKNESS mm	SINGLE COMPARTMENT	TWO COMPARTMENT	THREE COMPARTMENT
50	50	1.0	J-BTC9/2-2	J-2BTC9/2-2	J-3BTC9/2-2
75	50	1.2	J-BTC9/3-2	J-2BTC9/3-2	J-3BTC9/3-2
75	75	1.2	J-BTC9/3-3	J-2BTC9/3-3	J-3BTC9/3-3
100	50	1.2	J-BTC9/4-2	J-2BTC9/4-2	J-3BTC9/4-2
100	75	1.2	J-BTC9/4-3	J-2BTC9/4-3	J-3BTC9/4-3
100	100	1.2	J-BTC9/4-4	J-2BTC9/4-4	J-3BTC9/4-4
150	50	1.2	J-BTC9/6-2	J-2BTC9/6-2	J-3BTC9/6-2
150	75	1.2	J-BTC9/6-3	J-2BTC9/6-3	J-3BTC9/6-3
150	100	1.2	J-BTC9/6-4	J-2BTC9/6-4	J-3BTC9/6-4
150	150	1.5	J-BTC9/6-6	J-2BTC9/6-6	J-3BTC9/6-6
225	50	1.5	J-BTC9/9-2	J-2BTC9/9-2	J-3BTC9/9-2
225	75	1.5	J-BTC9/9-3	J-2BTC9/9-3	J-3BTC9/9-3
225	100	1.5	J-BTC9/9-4	J-2BTC9/9-4	J-3BTC9/9-4
225	150	1.5	J-BTC9/9-6	J-2BTC9/9-6	J-3BTC9/9-6
225	225	1.5	J-BTC9/9-9	J-2BTC9/9-9	J-3BTC9/9-9
300	50	1.5	J-BTC9/12-2	J-2BTC9/12-2	J-3BTC9/12-2
300	75	1.5	J-BTC9/12-3	J-2BTC 9/12-3	J-3BTC9/12-3
300	100	1.5	J-BTC9/12-4	J-2BTC9/12-4	J-3BTC9/12-4
300	150	1.5	J-BTC9/12-6	J-2BTC9/12-6	J-3BTC9/12-6
300	225	1.5	J-BTC9/12-9	J-2BTC9/12-9	J-3BTC9/12-9
300	300	2.0	J-BTC9/12-12	J-2BTC9/12-12	J-3BTC9/12-12



Note:

as pre x in place of 'J' in the table.

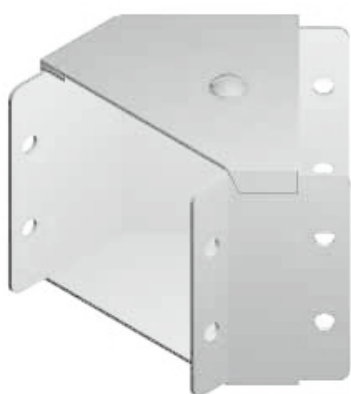
BEND TOP COVER - 45°



JET LOCK ARRANGEMENT

To order screw lock bend top cover 45°, use 'S' as prefix in place of 'J' in the table.

WIDTH mm	HEIGHT mm	THICKNESS mm	SINGLE COMPARTMENT	TWO COMPARTMENT	THREE COMPARTMENT
50	50	1.0	J-BTC4/2-2	J-2BTC4/2-2	J-3BTC4/2-2
75	50	1.2	J-BTC4/3-2	J-2BTC4/3-2	J-3BTC4/3-2
75	75	1.2	J-BTC4/3-3	J-2BTC4/3-3	J-3BTC4/3-3
100	50	1.2	J-BTC4/4-2	J-2BTC4/4-2	J-3BTC4/4-2
100	75	1.2	J-BTC4/4-3	J-2BTC4/4-3	J-3BTC4/4-3
100	100	1.2	J-BTC4/4-4	J-2BTC4/4-4	J-3BTC4/4-4
150	50	1.2	J-BTC4/6-2	J-2BTC4/6-2	J-3BTC4/6-2
150	75	1.2	J-BTC4/6-3	J-2BTC4/6-3	J-3BTC4/6-3
150	100	1.2	J-BTC4/6-4	J-2BTC4/6-4	J-3BTC4/6-4
150	150	1.5	J-BTC4/6-6	J-2BTC4/6-6	J-3BTC4/6-6
225	50	1.5	J-BTC4/9-2	J-2BTC4/9-2	J-3BTC4/9-2
225	75	1.5	J-BTC4/9-3	J-2BTC4/9-3	J-3BTC4/9-3
225	100	1.5	J-BTC4/9-4	J-2BTC4/9-4	J-3BTC4/9-4
225	150	1.5	J-BTC4/9-6	J-2BTC4/9-6	J-3BTC4/9-6
225	225	1.5	J-BTC4/9-9	J-2BTC4/9-9	J-3BTC4/9-9
300	50	1.5	J-BTC4/12-2	J-2BTC4/12-2	J-3BTC4/12-2
300	75	1.5	J-BTC4/12-3	J-2BTC4/12-3	J-3BTC4/12-3
300	100	1.5	J-BTC4/12-4	J-2BTC4/12-4	J-3BTC4/12-4
300	150	1.5	J-BTC4/12-6	J-2BTC4/12-6	J-3BTC4/12-6
300	225	1.5	J-BTC4/12-9	J-2BTC4/12-9	J-3BTC4/12-9
300	300	2.0	J-BTC4/12-12	J-2BTC4/12-12	J-3BTC4/12-12



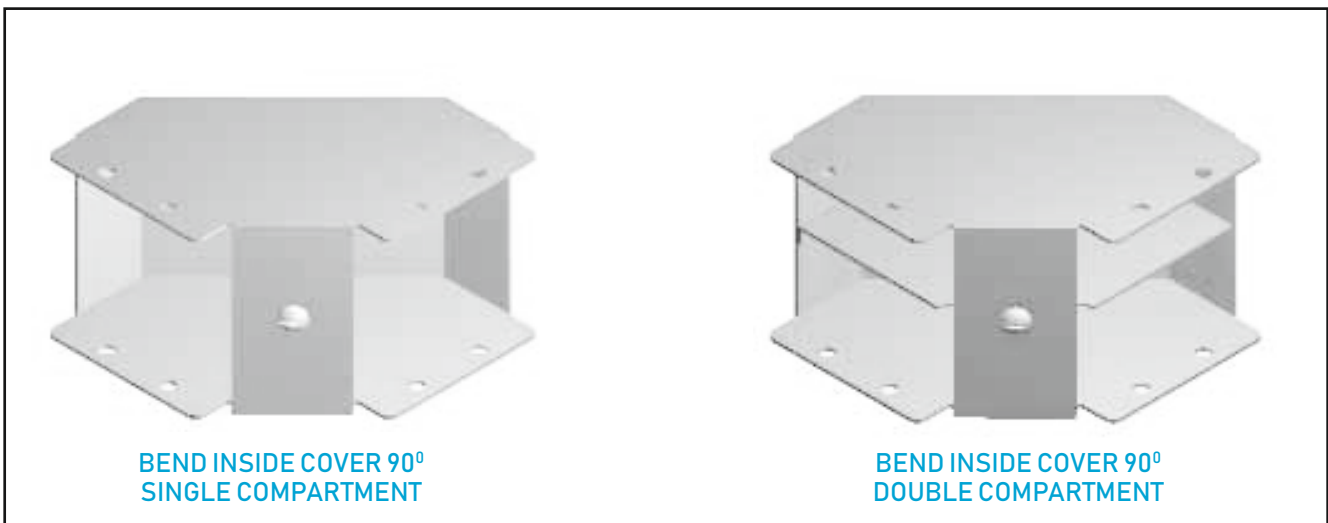
**BEND TOP COVER 45°
SINGLE COMPARTMENT**



**BEND TOP COVER 45°
DOUBLE COMPARTMENT**

JET LOCK ARRANGEMENT

WIDTH mm	HEIGHT mm	THICKNESS mm	SINGLE COMPARTMENT	TWO COMPARTMENT	THREE COMPARTMENT
50	50	1.0	J-BIC9/2-2	J-2BIC9/2-2	J-3BIC9/2-2
75	50	1.2	J-BIC9/3-2	J-2BIC9/3-2	J-3BIC9/3-2
75	75	1.2	J-BIC9/3-3	J-2BIC9/3-3	J-3BIC9/3-3
100	50	1.2	J-BIC9/4-2	J-2BIC9/4-2	J-3BIC9/4-2
100	75	1.2	J-BIC9/4-3	J-2BIC9/4-3	J-3BIC9/4-3
100	100	1.2	J-BIC9/4-4	J-2BIC9/4-4	J-3BIC9/4-4
150	50	1.2	J-BIC9/6-2	J-2BIC9/6-2	J-3BIC9/6-2
150	75	1.2	J-BIC9/6-3	J-2BIC9/6-3	J-3BIC9/6-3
150	100	1.2	J-BIC9/6-4	J-2BIC9/6-4	J-3BIC9/6-4
150	150	1.5	J-BIC9/6-6	J-2BIC9/6-6	J-3BIC9/6-6
225	50	1.5	J-BIC9/9-2	J-2BIC9/9-2	J-3BIC9/9-2
225	75	1.5	J-BIC9/9-3	J-2BIC9/9-3	J-3BIC9/9-3
225	100	1.5	J-BIC9/9-4	J-2BIC9/9-4	J-3BIC9/9-4
225	150	1.5	J-BIC9/9-6	J-2BIC9/9-6	J-3BIC9/9-6
225	225	1.5	J-BIC9/9-9	J-2BIC9/9-9	J-3BIC9/9-9
300	50	1.5	J-BIC9/12-2	J-2BIC9/12-2	J-3BIC9/12-2
300	75	1.5	J-BIC9/12-3	J-2BIC9/12-3	J-3BIC9/12-3
300	100	1.5	J-BIC9/12-4	J-2BIC9/12-4	J-3BIC9/12-4
300	150	1.5	J-BIC9/12-6	J-2BIC9/12-6	J-3BIC9/12-6
300	225	1.5	J-BIC9/12-9	J-2BIC9/12-9	J-3BIC9/12-9
300	300	2.0	J-BIC9/12-12	J-2BIC9/12-12	J-3BIC9/12-12

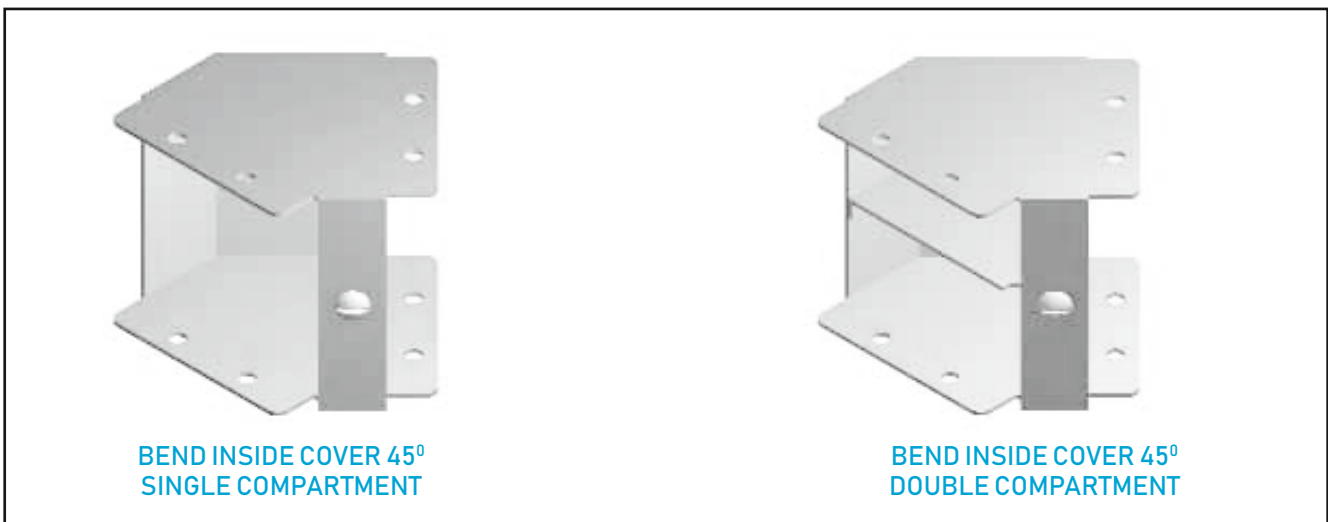


Note: To order screw lock bend top cover 45°, use 'S' as prefix in place of 'J' in the table.



JET LOCK ARRANGEMENT

WIDTH mm	HEIGHT mm	THICKNESS mm	SINGLE COMPARTMENT	TWO COMPARTMENT	THREE COMPARTMENT
50	50	1.0	J-BIC4/2-2	J-2BIC4/2-2	J-3BIC4/2-2
75	50	1.2	J-BIC4/3-2	J-2BIC4/3-2	J-3BIC4/3-2
75	75	1.2	J-BIC4/3-3	J-2BIC4/3-3	J-3BIC4/3-3
100	50	1.2	J-BIC4/4-2	J-2BIC4/4-2	J-3BIC4/4-2
100	75	1.2	J-BIC4/4-3	J-2BIC4/4-3	J-3BIC4/4-3
100	100	1.2	J-BIC4/4-4	J-2BIC4/4-4	J-3BIC4/4-4
150	50	1.2	J-BIC4/6-2	J-2BIC4/6-2	J-3BIC4/6-2
150	75	1.2	J-BIC4/6-3	J-2BIC4/6-3	J-3BIC4/6-3
150	100	1.2	J-BIC4/6-4	J-2BIC4/6-4	J-3BIC4/6-4
150	150	1.5	J-BIC4/6-6	J-2BIC4/6-6	J-3BIC4/6-6
225	50	1.5	J-BIC4/9-2	J-2BIC4/9-2	J-3BIC4/9-2
225	75	1.5	J-BIC4/9-3	J-2BIC4/9-3	J-3BIC4/9-3
225	100	1.5	J-BIC4/9-4	J-2BIC4/9-4	J-3BIC4/9-4
225	150	1.5	J-BIC4/9-6	J-2BIC4/9-6	J-3BIC4/9-6
225	225	1.5	J-BIC4/9-9	J-2BIC4/9-9	J-3BIC4/9-9
300	50	1.5	J-BIC4/12-2	J-2BIC4/12-2	J-3BIC4/12-2
300	75	1.5	J-BIC4/12-3	J-2BIC4/12-3	J-3BIC4/12-3
300	100	1.5	J-BIC4/12-4	J-2BIC4/12-4	J-3BIC4/12-4
300	150	1.5	J-BIC4/12-6	J-2BIC4/12-6	J-3BIC4/12-6
300	225	1.5	J-BIC4/12-9	J-2BIC4/12-9	J-3BIC4/12-9
300	300	2.0	J-BIC4/12-12	J-2BIC4/12-12	J-3BIC4/12-12



Note: To order screw lock bend inside cover 45°, use 'S' as prefix in place of 'J' in the table.

JET LOCK ARRANGEMENT

WIDTH mm	HEIGHT mm	THICKNESS mm	SINGLE COMPARTMENT	TWO COMPARTMENT	THREE COMPARTMENT
50	50	1.0	J-BOC9/2-2	J-2BOC9/2-2	J-3BOC9/2-2
75	50	1.2	J-BOC9/3-2	J-2BOC9/3-2	J-3BOC9/3-2
75	75	1.2	J-BOC9/3-3	J-2BOC9/3-3	J-3BOC9/3-3
100	50	1.2	J-BOC9/4-2	J-2BOC9/4-2	J-3BOC9/4-2
100	75	1.2	J-BOC9/4-3	J-2BOC9/4-3	J-3BOC9/4-3
100	100	1.2	J-BOC9/4-4	J-2BOC9/4-4	J-3BOC9/4-4
150	50	1.2	J-BOC9/6-2	J-2BOC9/6-2	J-3BOC9/6-2
150	75	1.2	J-BOC9/6-3	J-2BOC9/6-3	J-3BOC9/6-3
150	100	1.2	J-BOC9/6-4	J-2BOC9/6-4	J-3BOC9/6-4
150	150	1.5	J-BOC9/6-6	J-2BOC9/6-6	J-3BOC9/6-6
225	50	1.5	J-BOC9/9-2	J-2BOC9/9-2	J-3BOC9/9-2
225	75	1.5	J-BOC9/9-3	J-2BOC9/9-3	J-3BOC9/9-3
225	100	1.5	J-BOC9/9-4	J-2BOC9/9-4	J-3BOC9/9-4
225	150	1.5	J-BOC9/9-6	J-2BOC9/9-6	J-3BOC9/9-6
225	225	1.5	J-BOC9/9-9	J-2BOC9/9-9	J-3BOC9/9-9
300	50	1.5	J-BOC9/12-2	J-2BOC9/12-2	J-3BOC9/12-2
300	75	1.5	J-BOC9/12-3	J-2BOC9/12-3	J-3BOC9/12-3
300	100	1.5	J-BOC9/12-4	J-2BOC9/12-4	J-3BOC9/12-4
300	150	1.5	J-BOC9/12-6	J-2BOC9/12-6	J-3BOC9/12-6
300	225	1.5	J-BOC9/12-9	J-2BOC9/12-9	J-3BOC9/12-9
300	300	2.0	J-BOC9/12-12	J-2BOC9/12-12	J-3BOC9/12-12



BEND OUTSIDE COVER 90°
SINGLE COMPARTMENT



BEND OUTSIDE COVER 90°
DOUBLE COMPARTMENT

Note: To order screw lock bend outside cover 90°, use 'S' as prefix in place of 'J' in the table.

BEND OUTSIDE COVER - 45°



JET LOCK ARRANGEMENT

WIDTH mm	HEIGHT mm	THICKNESS mm	SINGLE COMPARTMENT	TWO COMPARTMENT	THREE COMPARTMENT
50	50	1.0	J-BOC4/2-2	J-2BOC4/2-2	J-3BOC4/2-2
75	50	1.2	J-BOC4/3-2	J-2BOC4/3-2	J-3BOC4/3-2
75	75	1.2	J-BOC4/3-3	J-2BOC4/3-3	J-3BOC4/3-3
100	50	1.2	J-BOC4/4-2	J-2BOC4/4-2	J-3BOC4/4-2
100	75	1.2	J-BOC4/4-3	J-2BOC4/4-3	J-3BOC4/4-3
100	100	1.2	J-BOC4/4-4	J-2BOC4/4-4	J-3BOC4/4-4
150	50	1.2	J-BOC4/6-2	J-2BOC4/6-2	J-3BOC4/6-2
150	75	1.2	J-BOC4/6-3	J-2BOC4/6-3	J-3BOC4/6-3
150	100	1.2	J-BOC4/6-4	J-2BOC4/6-4	J-3BOC4/6-4
150	150	1.5	J-BOC4/6-6	J-2BOC4/6-6	J-3BOC4/6-6
225	50	1.5	J-BOC4/9-2	J-2BOC4/9-2	J-3BOC4/9-2
225	75	1.5	J-BOC4/9-3	J-2BOC4/9-3	J-3BOC4/9-3
225	100	1.5	J-BOC4/9-4	J-2BOC4/9-4	J-3BOC4/9-4
225	150	1.5	J-BOC4/9-6	J-2BOC4/9-6	J-3BOC4/9-6
225	225	1.5	J-BOC4/9-9	J-2BOC4/9-9	J-3BOC4/9-9
300	50	1.5	J-BOC4/12-2	J-2BOC4/12-2	J-3BOC4/12-2
300	75	1.5	J-BOC4/12-3	J-2BOC4/12-3	J-3BOC4/12-3
300	100	1.5	J-BOC4/12-4	J-2BOC4/12-4	J-3BOC4/12-4
300	150	1.5	J-BOC4/12-6	J-2BOC4/12-6	J-3BOC4/12-6
300	225	1.5	J-BOC4/12-9	J-2BOC4/12-9	J-3BOC4/12-9
300	300	2.0	J-BOC4/12-12	J-2BOC4/12-12	J-3BOC4/12-12



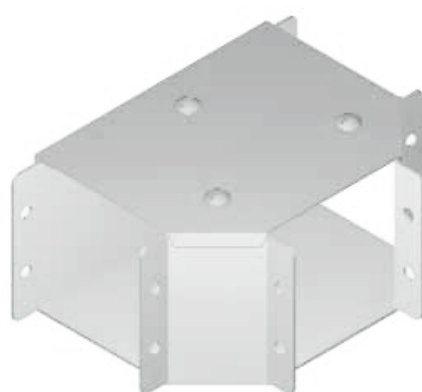
BEND OUTSIDE COVER 45°
SINGLE COMPARTMENT



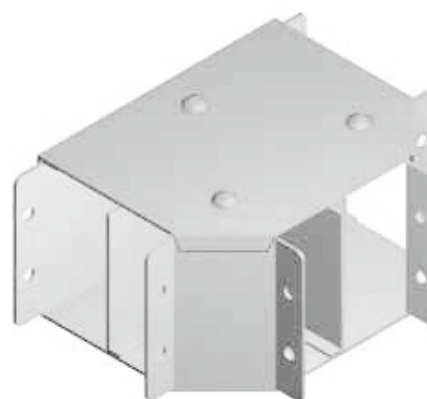
BEND OUTSIDE COVER 45°
DOUBLE COMPARTMENT

JET LOCK ARRANGEMENT

WIDTH mm	HEIGHT mm	THICKNESS mm	SINGLE COMPARTMENT	TWO COMPARTMENT	THREE COMPARTMENT
50	50	1.0	J-TTC/2-2	J-2TTC/2-2	J-3TTC/2-2
75	50	1.2	J-TTC/3-2	J-2TTC/3-2	J-3TTC/3-2
75	75	1.2	J-TTC/3-3	J-2TTC/3-3	J-3TTC/3-3
100	50	1.2	J-TTC/4-2	J-2TTC/4-2	J-3TTC/4-2
100	75	1.2	J-TTC/4-3	J-2TTC/4-3	J-3TTC/4-3
100	100	1.2	J-TTC/4-4	J-2TTC/4-4	J-3TTC/4-4
150	50	1.2	J-TTC/6-2	J-2TTC/6-2	J-3TTC/6-2
150	75	1.2	J-TTC/6-3	J-2TTC/6-3	J-3TTC/6-3
150	100	1.2	J-TTC/6-4	J-2TTC/6-4	J-3TTC/6-4
150	150	1.5	J-TTC/6-6	J-2TTC/6-6	J-3TTC/6-6
225	50	1.5	J-TTC/9-2	J-2TTC/9-2	J-3TTC/9-2
225	75	1.5	J-TTC/9-3	J-2TTC/9-3	J-3TTC/9-3
225	100	1.5	J-TTC/9-4	J-2TTC/9-4	J-3TTC/9-4
225	150	1.5	J-TTC/9-6	J-2TTC/9-6	J-3TTC/9-6
225	225	1.5	J-TTC/9-9	J-2TTC/9-9	J-3TTC/9-9
300	50	1.5	J-TTC/12-2	J-2TTC/12-2	J-3TTC/12-2
300	75	1.5	J-TTC/12-3	J-2TTC/12-3	J-3TTC/12-3
300	100	1.5	J-TTC/12-4	J-2TTC/12-4	J-3TTC/12-4
300	150	1.5	J-TTC/12-6	J-2TTC/12-6	J-3TTC/12-6
300	225	1.5	J-TTC/12-9	J-2TTC/12-9	J-3TTC/12-9
300	300	2.0	J-TTC/12-12	J-2TTC/12-12	J-3TTC/12-12



TEE TOP COVER
SINGLE COMPARTMENT



TEE TOP COVER
DOUBLE COMPARTMENT

TEE INSIDE COVER



JET LOCK ARRANGEMENT

WIDTH mm	HEIGHT mm	THICKNESS mm	SINGLE COMPARTMENT	TWO COMPARTMENT	THREE COMPARTMENT
50	50	1.0	J-TIC/2-2	J-2TIC/2-2	J-3TIC/2-2
75	50	1.2	J-TIC/3-2	J-2TIC/3-2	J-3TIC/3-2
75	75	1.2	J-TIC/3-3	J-2TIC/3-3	J-3TIC/3-3
100	50	1.2	J-TIC/4-2	J-2TIC/4-2	J-3TIC/4-2
100	75	1.2	J-TIC/4-3	J-2TIC/4-3	J-3TIC/4-3
100	100	1.2	J-TIC/4-4	J-2TIC/4-4	J-3TIC/4-4
150	50	1.2	J-TIC/6-2	J-2TIC/6-2	J-3TIC/6-2
150	75	1.2	J-TIC/6-3	J-2TIC/6-3	J-3TIC/6-3
150	100	1.2	J-TIC/6-4	J-2TIC/6-4	J-3TIC/6-4
150	150	1.5	J-TIC/6-6	J-2TIC/6-6	J-3TIC/6-6
225	50	1.5	J-TIC/9-2	J-2TIC/9-2	J-3TIC/9-2
225	75	1.5	J-TIC/9-3	J-2TIC/9-3	J-3TIC/9-3
225	100	1.5	J-TIC/9-4	J-2TIC/9-4	J-3TIC/9-4
225	150	1.5	J-TIC/9-6	J-2TIC/9-6	J-3TIC/9-6
225	225	1.5	J-TIC/9-9	J-2TIC/9-9	J-3TIC/9-9
300	50	1.5	J-TIC/12-2	J-2TIC/12-2	J-3TIC/12-2
300	75	1.5	J-TIC/12-3	J-2TIC/12-3	J-3TIC/12-3
300	100	1.5	J-TIC/12-4	J-2TIC/12-4	J-3TIC/12-4
300	150	1.5	J-TIC/12-6	J-2TIC/12-6	J-3TIC/12-6
300	225	1.5	J-TIC/12-9	J-2TIC/12- 9	J-3TIC/12-9
300	300	2.0	J-TIC/12-12	J-2TIC/12-12	J-3TIC/12-12



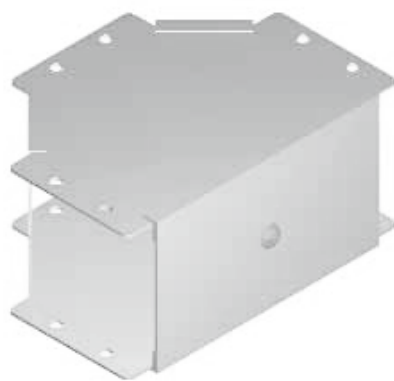
TEE INSIDE COVER
SINGLE COMPARTMENT



TEE INSIDE COVER
DOUBLE COMPARTMENT

JET LOCK ARRANGEMENT

WIDTH mm	HEIGHT mm	THICKNESS mm	SINGLE COMPARTMENT	TWO COMPARTMENT	THREE COMPARTMENT
50	50	1.0	J-TOC/2-2	J-2TOC/2-2	J-3TOC/2-2
75	50	1.2	J-TOC/3-2	J-2TOC/3-2	J-3TOC/3-2
75	75	1.2	J-TOC/3-3	J-2TOC/3-3	J-3TOC/3-3
100	50	1.2	J-TOC/4-2	J-2TOC/4-2	J-3TOC/4-2
100	75	1.2	J-TOC/4-3	J-2TOC/4-3	J-3TOC/4-3
100	100	1.2	J-TOC/4-4	J-2TOC/4-4	J-3TOC/4-4
150	50	1.2	J-TOC/6-2	J-2TOC/6-2	J-3TOC/6-2
150	75	1.2	J-TOC/6-3	J-2TOC/6-3	J-3TOC/6-3
150	100	1.2	J-TOC/6-4	J-2TOC/6-4	J-3TOC/6-4
150	150	1.5	J-TOC/6-6	J-2TOC/6-6	J-3TOC/6-6
225	50	1.5	J-TOC/9-2	J-2TOC/9-2	J-3TOC/9-2
225	75	1.5	J-TOC/9-3	J-2TOC/9-3	J-3TOC/9-3
225	100	1.5	J-TOC/9-4	J-2TOC/9-4	J-3TOC/9-4
225	150	1.5	J-TOC/9-6	J-2TOC/9-6	J-3TOC/9-6
225	225	1.5	J-TOC/9-9	J-2TOC/9-9	J-3TOC/9-9
300	50	1.5	J-TOC/12-2	J-2TOC/12-2	J-3TOC/12-2
300	75	1.5	J-TOC/12-3	J-2TOC/12-3	J-3TOC/12-3
300	100	1.5	J-TOC/12-4	J-2TOC/12-4	J-3TOC/12-4
300	150	1.5	J-TOC/12-6	J-2TOC/12-6	J-3TOC/12-6
300	225	1.5	J-TOC/12-9	J-2TOC/12-9	J-3TOC/12-9
300	300	2.0	J-TOC/12-12	J-2TOC/12-12	J-3TOC/12-12



TEE OUTSIDE COVER
SINGLE COMPARTMENT



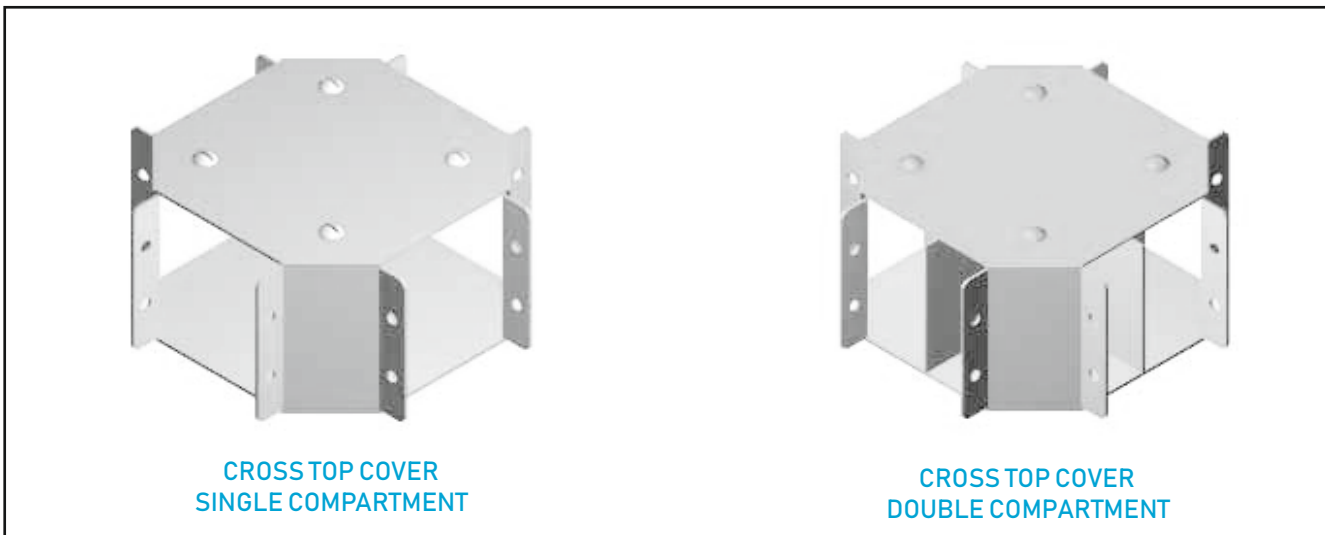
TEE OUTSIDE COVER
DOUBLE COMPARTMENT

CROSS TOP COVER



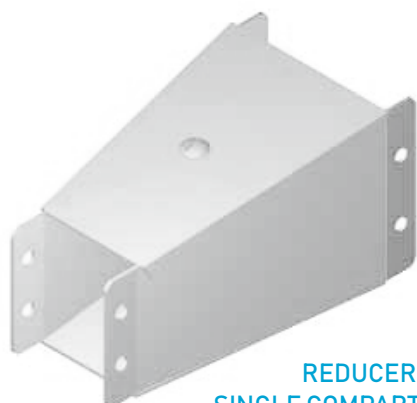
JET LOCK ARRANGEMENT

WIDTH mm	HEIGHT mm	THICKNESS mm	SINGLE COMPARTMENT	TWO COMPARTMENT	THREE COMPARTMENT
50	50	1.0	J-CTC/2-2	J-2CTC/2-2	J-3CTC/2-2
75	50	1.2	J-CTC/3-2	J-2CTC/3-2	J-3CTC/3-2
75	75	1.2	J-CTC/3-3	J-2CTC/3-3	J-3CTC/3-3
100	50	1.2	J-CTC/4-2	J-2CTC/4-2	J-3CTC/4-2
100	75	1.2	J-CTC/4-3	J-2CTC/4-3	J-3CTC/4-3
100	100	1.2	J-CTC/4-4	J-2CTC/4-4	J-3CTC/4-4
150	50	1.2	J-CTC/6-2	J-2CTC/6-2	J-3CTC/6-2
150	75	1.2	J-CTC/6-3	J-2CTC/6-3	J-3CTC/6-3
150	100	1.2	J-CTC/6-4	J-2CTC/6-4	J-3CTC/6-4
150	150	1.5	J-CTC/6-6	J-2CTC/6-6	J-3CTC/6-6
225	50	1.5	J-CTC/9-2	J-2CTC/9-2	J-3CTC/9-2
225	75	1.5	J-CTC/9-3	J-2CTC/9-3	J-3CTC/9-3
225	100	1.5	J-CTC/9-4	J-2CTC/9-4	J-3CTC/9-4
225	150	1.5	J-CTC/9-6	J-2CTC/9-6	J-3CTC/9-6
225	225	1.5	J-CTC/9-9	J-2CTC/9-9	J-3CTC/9-9
300	50	1.5	J-CTC/12-2	J-2CTC/12-2	J-3CTC/12-2
300	75	1.5	J-CTC/12-3	J-2CTC/12-3	J-3CTC/12-3
300	100	1.5	J-CTC/12-4	J-2CTC/12-4	J-3CTC/12-4
300	150	1.5	J-CTC/12-6	J-2CTC/12-6	J-3CTC/12-6
300	225	1.5	J-CTC/12-9	J-2CTC/12-9	J-3CTC/12-9
300	300	2.0	J-CTC/12-12	J-2CTC/12-12	J-3CTC/12-12



JET LOCK ARRANGEMENT

LARGER SIZE (W1) mm	REDUCING SIZE (W2) mm	THICKNESS mm	SINGLE COMPARTMENT	TWO COMPARTMENT	THREE COMPARTMENT
75 X 50	50 X 50	1.0	J-RS/W1-W2	J-2RS/W1-W2	J-3RS/W1-W2
75 X 75	50 X 50	1.2	J-RS/W1-W2	J-2RS/W1-W2	J-3RS/W1-W2
100 X 50	75 X 75	1.2	J-RS/W1-W2	J-2RS/W1-W2	J-3RS/W1-W2
100 X 75	100 X 50	1.2	J-RS/W1-W2	J-2RS/W1-W2	J-3RS/W1-W2
100 X 100	100 X 75	1.2	J-RS/W1-W2	J-2RS/W1-W2	J-3RS/W1-W2
150 X 50	100 X 100	1.2	J-RS/W1-W2	J-2RS/W1-W2	J-3RS/W1-W2
150 X 75	150 X 50	1.2	J-RS/W1-W2	J-2RS/W1-W2	J-3RS/W1-W2
150 X 100	150 X 75	1.2	J-RS/W1-W2	J-2RS/W1-W2	J-3RS/W1-W2
150 X 150	150 X 100	1.5	J-RS/W1-W2	J-2RS/W1-W2	J-3RS/W1-W2
225 X 50	150 X 150	1.5	J-RS/W1-W2	J-2RS/W1-W2	J-3RS/W1-W2
225 X 75	225 X 50	1.5	J-RS/W1-W2	J-2RS/W1-W2	J-3RS/W1-W2
225 X 100	225 X 75	1.5	J-RS/W1-W2	J-2RS/W1-W2	J-3RS/W1-W2
225 X 150	225 X 100	1.5	J-RS/W1-W2	J-2RS/W1-W2	J-3RS/W1-W2
225 X 225	225 X 150	1.5	J-RS/W1-W2	J-2RS/W1-W2	J-3RS/W1-W2
300 X 50	225 X 225	1.5	J-RS/W1-W2	J-2RS/W1-W2	J-3RS/W1-W2
300 X 75	300 X 50	1.5	J-RS/W1-W2	J-2RS/W1-W2	J-3RS/W1-W2
300 X 100	300 X 75	1.5	J-RS/W1-W2	J-2RS/W1-W2	J-3RS/W1-W2
300 X 150	300 X 100	1.5	J-RS/W1-W2	J-2RS/W1-W2	J-3RS/W1-W2
300 X 225	300 X 150	2.0	J-RS/W1-W2	J-2RS/W1-W2	J-3RS/W1-W2



REDUCER
SINGLE COMPARTMENT



REDUCER
DOUBLE COMPARTMENT

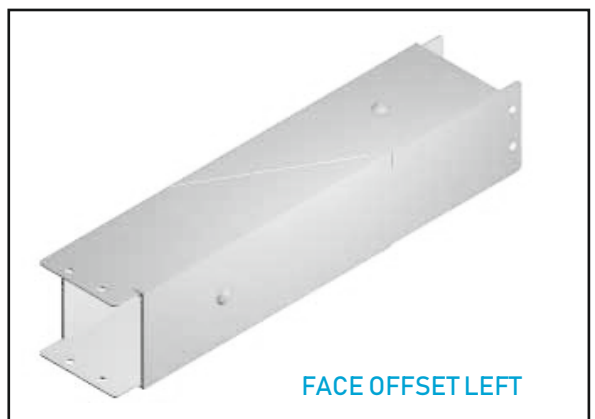
FACE OFFSET RIGHT

SIZE mm	THICKNESS mm	FACE OFFSET RIGHT
50 X 50	1.0	J-FOR/2-2
75 X 50	1.2	J-FOR/3-2
75 X 75	1.2	J-FOR/3-3
100 X 50	1.2	J-FOR/4-2
100 X 75	1.2	J-FOR/4-3
100 X 100	1.2	J-FOR/4-4
150 X 50	1.2	J-FOR/6-2
150 X 75	1.2	J-FOR/6-3
150 X 100	1.2	J-FOR/6-4
150 X 150	1.5	J-FOR/6-6
225 X 50	1.5	J-FOR/9-2
225 X 75	1.5	J-FOR/9-3
225 X 100	1.5	J-FOR/9-4
225 X 150	1.5	J-FOR/9-6
225 X 225	1.5	J-FOR/9-9
300 X 50	1.5	J-FOR/12-2
300 X 75	1.5	J-FOR/12-3
300 X 100	1.5	J-FOR/12-4
300 X 150	1.5	J-FOR/12-6
300 X 225	1.5	J-FOR/12-9
300 X 300	2.0	J-FOR/12-12



FACE OFFSET LEFT

SIZE mm	THICKNESS mm	FACE OFFSET LEFT
50 X 50	1.0	J-FOL/2-2
75 X 50	1.2	J-FOL/3-2
75 X 75	1.2	J-FOL/3-3
100 X 50	1.2	J-FOL/4-2
100 X 75	1.2	J-FOL/4-3
100 X 100	1.2	J-FOL/4-4
150 X 50	1.2	J-FOL/6-2
150 X 75	1.2	J-FOL/6-3
150 X 100	1.2	J-FOL/6-4
150 X 150	1.5	J-FOL/6-6
225 X 50	1.5	J-FOL/9-2
225 X 75	1.5	J-FOL/9-3
225 X 100	1.5	J-FOL/9-4
225 X 150	1.5	J-FOL/9-6
225 X 225	1.5	J-FOL/9-9
300 X 50	1.5	J-FOL/12-2
300 X 75	1.5	J-FOL/12-3
300 X 100	1.5	J-FOL/12-4
300 X 150	1.5	J-FOL/12-6
300 X 225	1.5	J-FOL/12-9
300 X 300	2.0	J-FOL/12-12



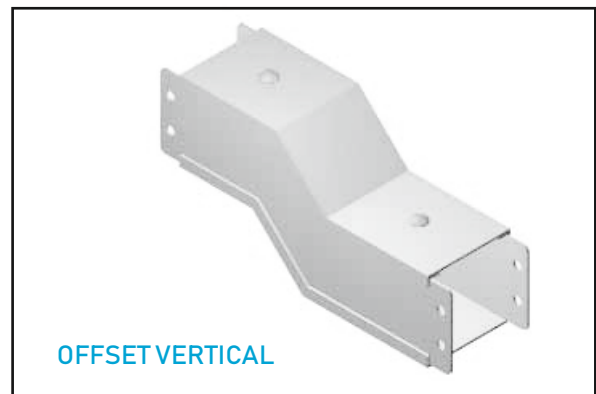
OFFSET HORIZONTAL

SIZE mm	THICKNESS mm	OFFSET HORIZONTAL
50 X 50	1.0	J-OH/2-2
75 X 50	1.2	J-OH/3-2
75 X 75	1.2	J-OH/3-3
100 X 50	1.2	J-OH/4-2
100 X 75	1.2	J-OH/4-3
100 X 100	1.2	J-OH/4-4
150 X 50	1.2	J-OH/6-2
150 X 75	1.2	J-OH/6-3
150 X 100	1.2	J-OH/6-4
150 X 150	1.5	J-OH/6-6
225 X 50	1.5	J-OH/9-2
225 X 75	1.5	J-OH/9-3
225 X 100	1.5	J-OH/9-4
225 X 150	1.5	J-OH/9-6
225 X 225	1.5	J-OH/9-9
300 X 50	1.5	J-OH/12-2
300 X 75	1.5	J-OH/12-3
300 X 100	1.5	J-OH/12-4
300 X 150	1.5	J-OH/12-6
300 X 225	1.5	J-OH/12-9
300 X 300	2.0	J-OH/12-12



OFFSET VERTICAL

SIZE mm	THICKNESS mm	OFFSET VERTICAL
50 X 50	1.0	J-OV/2-2
75 X 50	1.2	J-OV/3-2
75 X 75	1.2	J-OV/3-3
100 X 50	1.2	J-OV/4-2
100 X 75	1.2	J-OV/4-3
100 X 100	1.2	J-OV/4-4
150 X 50	1.2	J-OV/6-2
150 X 75	1.2	J-OV/6-3
150 X 100	1.2	J-OV/6-4
150 X 150	1.5	J-OV/6-6
225 X 50	1.5	J-OV/9-2
225 X 75	1.5	J-OV/9-3
225 X 100	1.5	J-OV/9-4
225 X 150	1.5	J-OV/9-6
225 X 225	1.5	J-OV/9-9
300 X 50	1.5	J-OV/12-2
300 X 75	1.5	J-OV/12-3
300 X 100	1.5	J-OV/12-4
300 X 150	1.5	J-OV/12-6
300 X 225	1.5	J-OV/12-9
300 X 300	2.0	J-OV/12-12



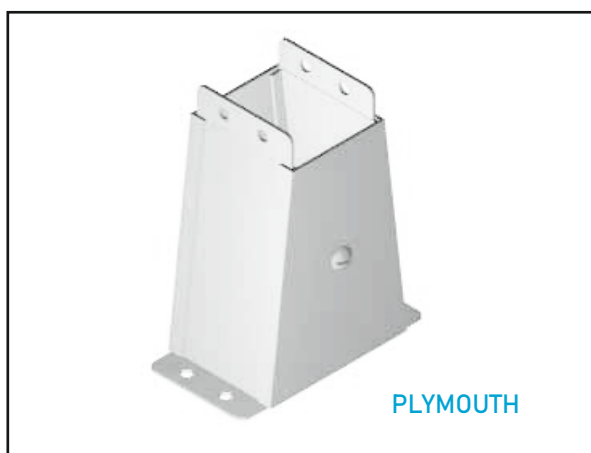
HANGERS

SIZE mm	THICKNESS mm	HANGERS
50 X 50	1.2	HT2-2
75 X 50	1.2	HT3-2
75 X 75	1.2	HT3-3
100 X 50	1.2	HT4-2
100 X 75	1.2	HT4-3
100 X 100	1.2	HT4-4
150 X 50	1.2	HT6-2
150 X 75	1.2	HT6-3
150 X 100	1.2	HT6-4
150 X 150	1.5	HT6-6
225 X 50	1.5	HT9-2
225 X 75	1.5	HT9-3
225 X 100	1.5	HT9-4
225 X 150	1.5	HT9-6
225 X 225	1.5	HT9-9
300 X 50	1.5	HT12-2
300 X 75	1.5	HT12-3
300 X 100	1.5	HT12-4
300 X 150	1.5	HT12-6
300 X 225	1.5	HT12-9
300 X 300	2.0	HT12-12



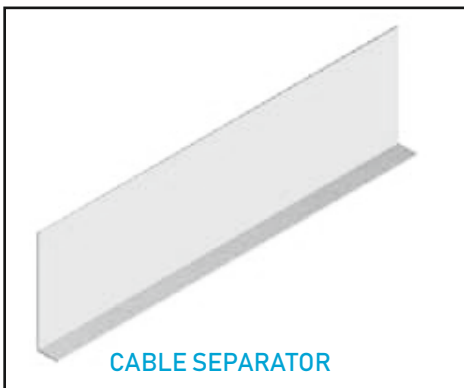
PLYMOUTH

SIZE mm	THICKNESS mm	PLYMOUTH
50 X 50	1.2	J-PM2-2
75 X 50	1.2	J-PM3-2
75 X 75	1.2	J-PM3-3
100 X 50	1.2	J-PM4-2
100 X 75	1.2	J-PM4-3
100 X 100	1.2	J-PM4-4
150 X 50	1.2	J-PM6-2
150 X 75	1.2	J-PM6-3
150 X 100	1.2	J-PM6-4
150 X 150	1.5	J-PM6-6
225 X 50	1.5	J-PM9-2
225 X 75	1.5	J-PM9-3
225 X 100	1.5	J-PM9-4
225 X 150	1.5	J-PM9-6
225 X 225	1.5	J-PM9-9
300 X 50	1.5	J-PM12-2
300 X 75	1.5	J-PM12-3
300 X 100	1.5	J-PM12-4
300 X 150	1.5	J-PM12-6
300 X 225	1.5	J-PM12-9
300 X 300	2.0	J-PM12-12



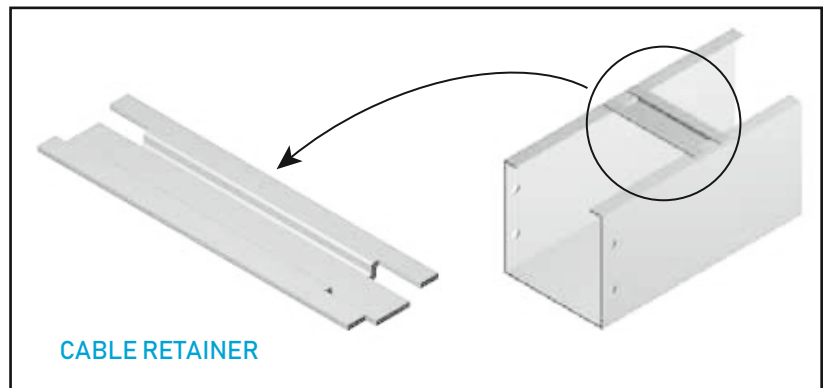
CABLE SEPARATOR

REFERENCE	HEIGHT mm
CS-2	50
CS-3	75
CS-4	100
CS-6	150
CS-8	200
CS-9	225
CS-12	300



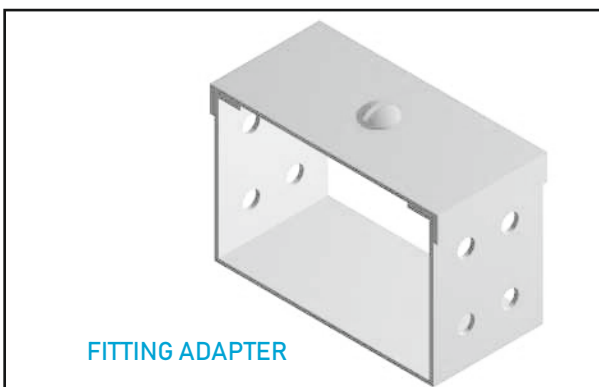
CABLE RETAINER

REFERENCE	HEIGHT mm
CR-2	50
CR-3	75
CR-4	100
CR-6	150
CR-8	200
CR-9	225
CR-12	300



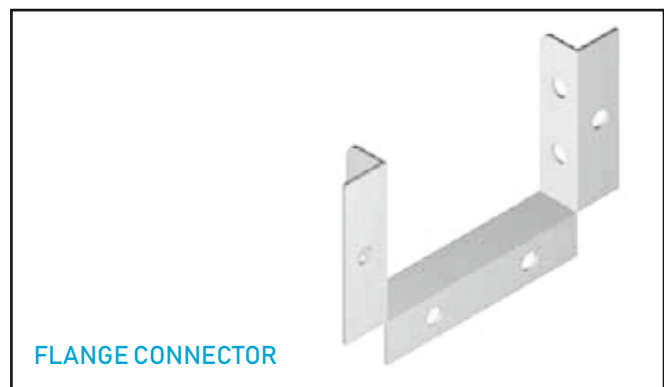
FITTING ADAPTER

PART REF
J-FA/--



FLANGE CONNECTOR OR

PART REF
FCT/--



- Fitting adapters can be ordered by specifying the trunking size in mm or inches in the reference table.
- Screw lock Fitting adapters can be ordered by using 'S' as prefix in place of 'J' in the reference table
EXAMPLE: For 50 x 50 trunking Specify FA/50-50 or FA/S-2-2

- Flange connectors can be ordered by specifying the trunking size in mm or inches in the reference table.
EXAMPLE: For 50 x 50 trunking Specify FCT/50-50 or FCT/S-2-2

SPARE TRUNKING COVERS

WIDTH mm	THICKNESS mm	JET LOCK COVERS	SCREW FIX COVERS
50	1.0	J-C/TC-2	S-C/TC-2
75	1.2	J-C/TC-3	S-C/TC-3
100	1.2	J-C/TC-4	S-C/TC-4
150	1.2	J-C/TC-6	S-C/TC-6
225	1.5	J-C/TC-9	S-C/TC-9
300	1.5	J-C/TC-12	S-C/TC-12



SINGLE COMPARTMENT COVER



DOUBLE COMPARTMENT COVER

BLIND END

SIZE mm	THICKNESS mm	BLIND END
50 X 50	1.0	BET2-2
75 X 50	1.2	BET3-2
75 X 75	1.2	BET3-3
100 X 50	1.2	BET4-2
100 X 75	1.2	BET4-3
100 X 100	1.2	BET4-4
150 X 50	1.2	BET6-2
150 X 75	1.2	BET6-3
150 X 100	1.2	BET6-4
150 X 150	1.5	BET6-6
225 X 50	1.5	BET9-2
225 X 75	1.5	BET9-3
225 X 100	1.5	BET9-4
225 X 150	1.5	BET9-6
225 X 225	1.5	BET9-9
300 X 50	1.5	BET12-2
300 X 75	1.5	BET12-3
300 X 100	1.5	BET12-4
300 X 150	1.5	BET12-6
300 X 225	1.5	BET12-9
300 X 300	2.0	BET12-12



BLIND END

Note:
METAR cable trunking covers can be ordered separately
in jet lock or screw lock arrangement as required



WESTPORT
Middle East



CABLE TRUNKING SYSTEMS

Technical Data